

Quality.
Beauty.
Value.





Vistora
closets

NINE FINISHES AVAILABLE

1/2" DRAWER BOXES

DOWEL CABINET CONSTRUCTION

FULLY ADJUSTABLE SHELVES

PRE-INSTALLED HANDLES

SOFT CLOSE HINGES



SIBERIAN

ALREADY ASSEMBLED CLOSET SYSTEM

Many closet systems require complicated assembly of numerous parts and components. Vistora Closets are different. With our system, you are able to choose from a wide range of fully assembled units, most with your desired accessory already installed.

Instead of assembling as many as 20-30 parts in just a small closet with a typical system, you may only have 4 or 5 closet components in a similar design with Vistora. Even better, the finished look is more custom, with units that sit on the floor, just like fine furniture. Additionally, Vistora is available through retailers that can help you with planning, design and even installations, so the process is simplified even more. No more guessing if you got it right. Find a retailer to learn more about the advantages in selecting Vistora Closets for your home.

- 4" wide stretchers and nailers
- 1/8" reveal on left & right edges of all doors and drawer fronts
- 1/2" reveal at top and bottom of all cabinets
- 1/4" reveal between drawer fronts on drawer stacks
- 1/4" reveal between bottom of drawer and top of door



FOLKSTONE

Finishes

Material consists of 3/4" thermally-fused laminated particleboard (MDF), edge-banded with color-coordinated PVC edge banding. Patterns are vertically oriented.

Available Colors

MONTEREY



FOLKSTONE



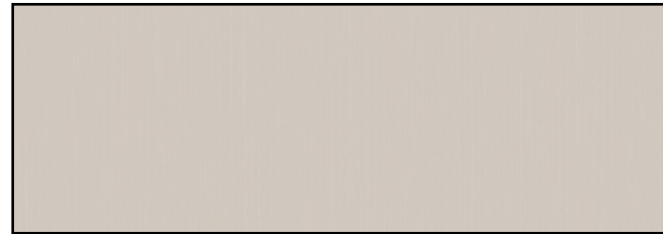
ALNO



KYUSHU



PEPPERDUST



FORMOSA



ALISO



ONTANO



SIBERIAN



Hardware

Series A

Decorative handles are 5/16" diameter. 4" on center wire pulls. Handles are included on all applicable cabinetry (can be ordered without handles).

Oil Rubbed Bronze



Matte Black



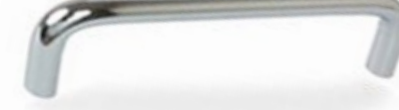
Matte Brass



Satin Nickel



Chrome



Series B

Decorative handles are 1/2" diameter. 4" on center wire pulls. Handles are included on all applicable cabinetry (can be ordered without handles).

Brushed Nickel



Satin Bronzed Copper



Matte Chrome



Polished Chrome



Accessories

Tie Rack CTR

- Chrome tie rack mounted on 3/4 extension guide
- Holds 25 ties
- Can be attached to cabinet sides and end panels



Belt Rack CBR

- Chrome belt rack mounted on 3/4 extension guide.
- Holds 9 belts
- Can be attached to cabinet sides and end panels



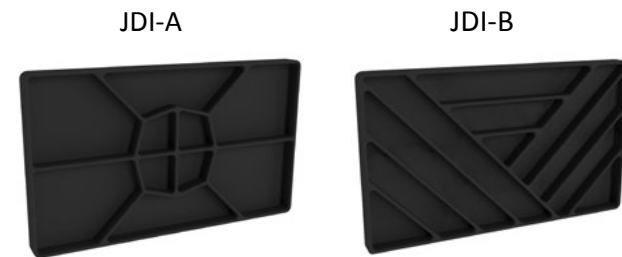
Valet Rod CVR

- Chrome valet rod closed length is 13 7/8"
- Can be attached to cabinet sides and end panels



Jewelry Drawer Inserts JDI

- Black felt jewelry inserts available in 6 2/16" tall drawers, in cabinets 25 1/2" wide and over
- jewelry drawer insert B recommended for use with necklaces



Pull Down Closet Rod PDCR

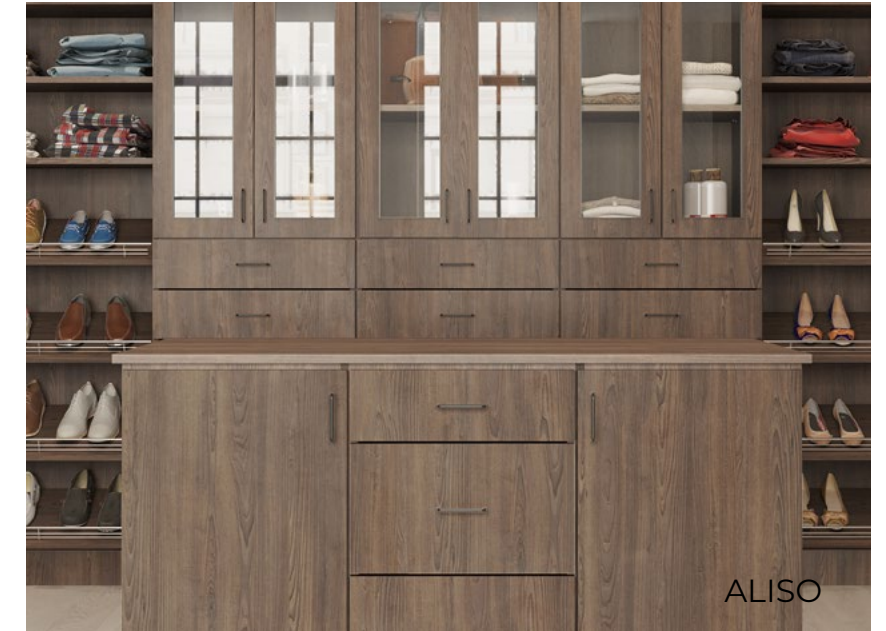
- Can be attached to cabinet sides and end panels
- Width of clothes rod is adjustable
- Telescoping pull rod adjustable from 34" to 50"



Doors

Cabinet Doors

Metro slab doors are particle board, or MDF substrate. Door & drawer front material consists of 3/4" white thermally fused laminated particleboard, with matching PVC edge banding. All doors and drawer fronts have 1/8" reveal on left & right, 1/2" reveal top & bottom, 1/4" reveal between top of door and bottom of drawer, and 1/4" reveal between drawer fronts on drawer stacks.



Glass Frame Door Trim



Aluminum Glass Frame Door Trim is required with all Glass Frame Doors. Trim color is similar, but does not match handle hardware. See available colors below.



Natural



Matte Black



Matte Brass

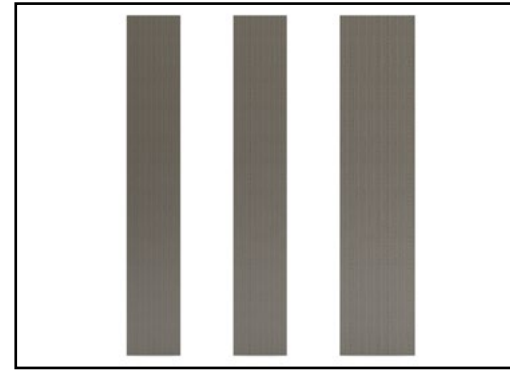
Accessories

Upright Panel UPN

Available Heights- 84", 96"

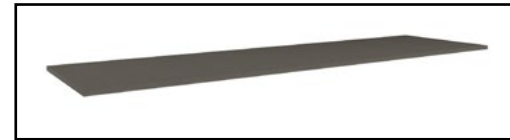
Available Depths- 15", 21"

- Available with no system holes, single sided, or double sided system holes
- Panels are able to be used in left or right applications



Edge-Banded Panel CEPS

- 3/4" finished panels with matching finish edge-banding on all edges to be used as closet base counter tops



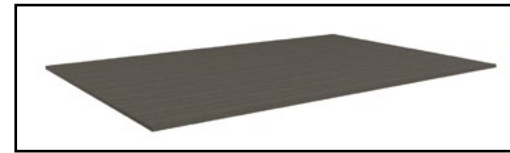
Fillers CF3

- 3/4" finished panels with matching finish edge-banding on all edges



Adjustable Shelves CAS

- 3/4" finished panels with matching finish edge-banding on all edges



1/4" Finished Panel 1/4FP

- 1/4" finished panels with matching finish edge-banding on all edges



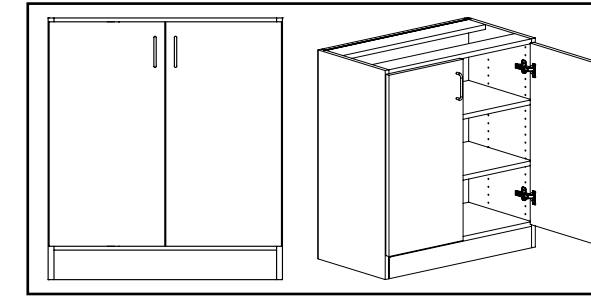
Bridge Shelf Kit CBSK

- Includes shelf, 2 side cleats with screws for mounting, & rear hang rail
- All components are edge banded on all edges
- 48" wide only, shelf and rear hang rail may be field trimmed



Base Cabinets

Base Cabinet w/Full Height Door CB-FHD



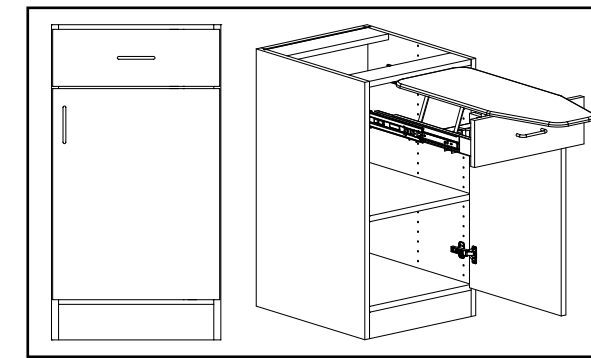
Height- 33 1/2" tall

Available Widths- 25 1/2", 31 1/2", 37 1/2"

Available Depths- 15", 21"

- finished exterior & interior
- 2 doors & 2 adjustable full depth shelves
- top not suitable as work surface. Additional work surface needed

Base Ironing Board Cabinet CBIB



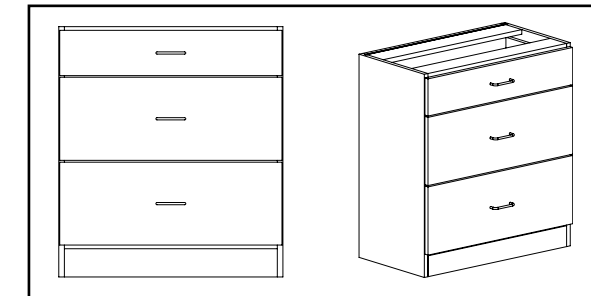
Height- 33 1/2" tall

Available Widths- 19 1/2"

Available Depths- 21"

- bottom section has 1 door & 2 adjustable full depth shelves
- finished exterior & interior
- countertop overlay cannot exceed 1 1/4"

Base 3 Drawer Cabinet CB3DR



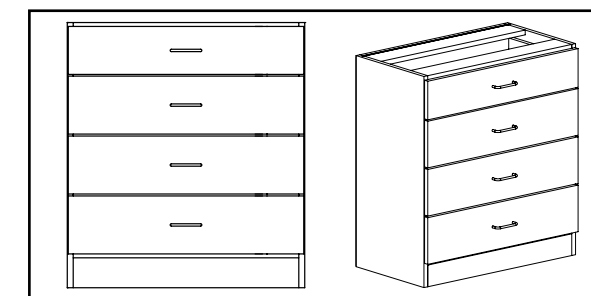
Height- 33 1/2" tall

Available Widths- 19 1/2", 25 1/2", 31 1/2", 37 1/2"

Available Depths- 15", 21"

- 1/2" white vinyl wrapped particle board drawer boxes mounted with precision steel ball bearing side mount full extension guides

Base 4 Drawer Cabinet CB4DR



Height- 33 1/2" tall

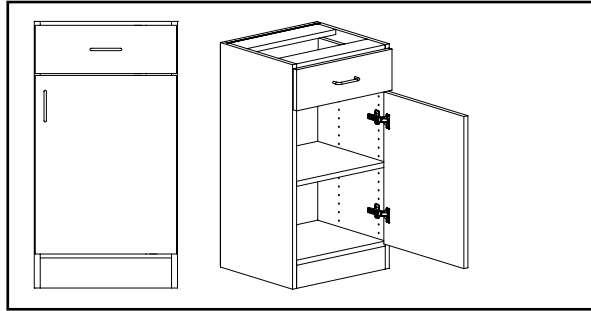
Available Widths- 19 1/2", 25 1/2", 31 1/2", 37 1/2"

Available Depths- 15", 21"

- 1/2" white vinyl wrapped particle board drawer boxes mounted with precision steel ball bearing side mount full extension guides

Base Cabinets

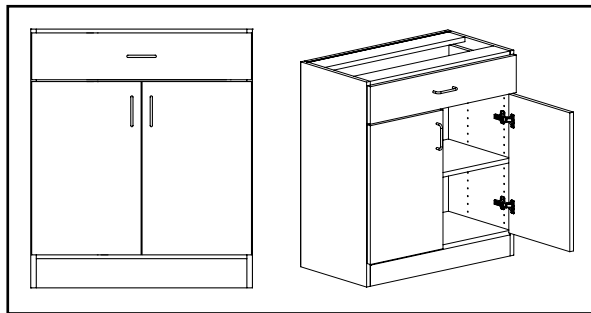
Base Cabinet 19.5" CB



Height- 33 1/2" tall
 Available Widths- 19 1/2"
 Available Depths- 15", 21"

- finished exterior & interior
- 2 doors & 2 adjustable full depth shelves
- top not suitable as work surface. Additional work surface needed

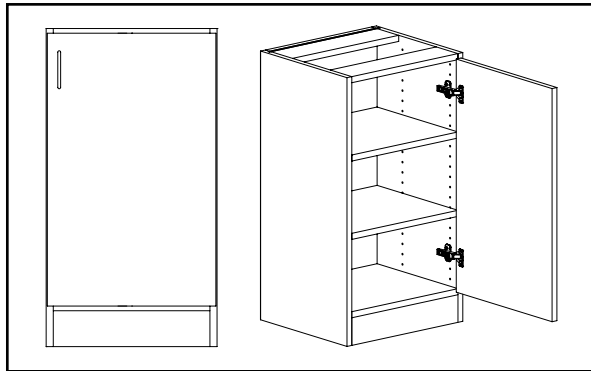
Base Cabinet 25.5" - 37.5" CB



Height- 33 1/2" tall
 Available Widths- 25 1/2", 31 1/2", 37 1/2"
 Available Depths- 15", 21"

- bottom section has 1 door & 2 adjustable full depth shelves
- finished exterior & interior
- countertop overlay cannot exceed 1 1/4"

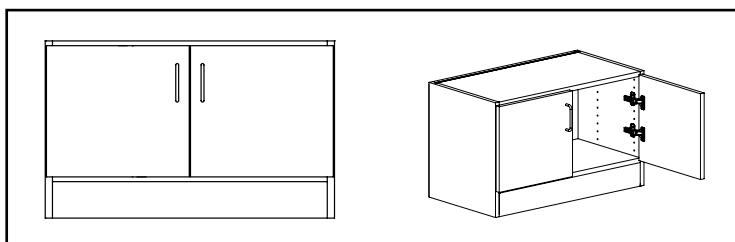
Base Cabinet 19.5" CB-FHD



Height- 33 1/2" tall
 Available Widths- 19 1/2"
 Available Depths- 15", 21"

- 1/2" white vinyl wrapped particle board drawer boxes mounted with precision steel ball bearing side mount full extension guides

Base Mini Cabinet CBM

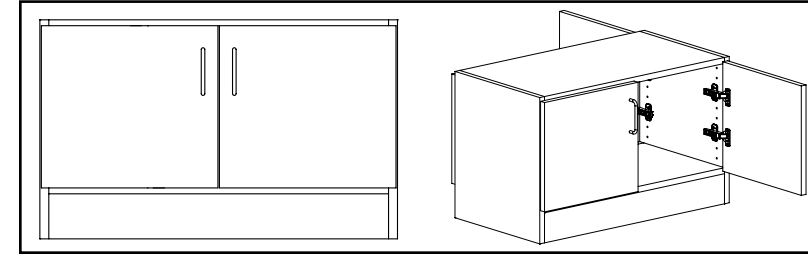


Height- 18 3/8" tall
 Available Widths- 25 1/2", 31 1/2"
 Available Depths- 15", 21"

- finished exterior & interior
- Base top not suitable to support weight for seating, additional top required

Base Cabinets

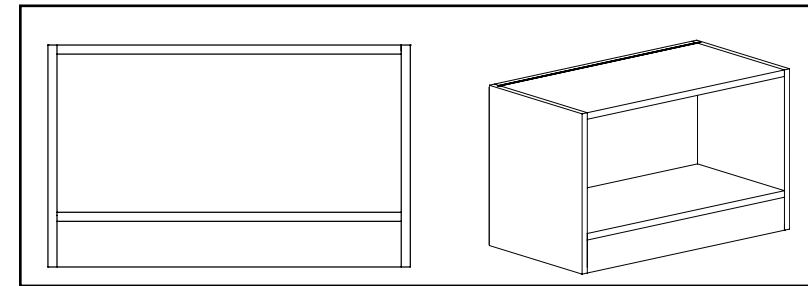
Base Mini Peninsula Cabinet CBMP



Height- 18 3/8" tall
 Available Widths- 25 1/2", 31 1/2"
 Available Depths- 15", 21"

- finished exterior & interior
- Base top not suitable to support weight for seating, additional top required

Base Mini Open Shelf Cabinet CBMOS



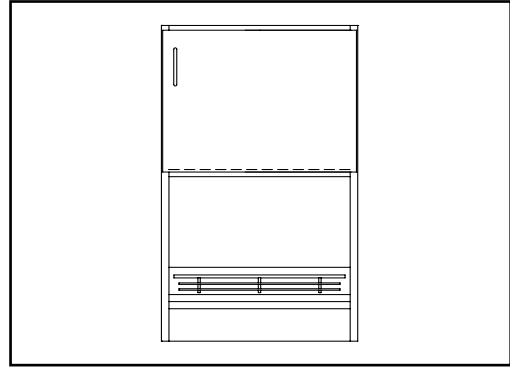
Height- 18 3/8" tall
 Available Widths- 25 1/2", 31 1/2"
 Available Depths- 15", 21"

- finished exterior & interior
- Base top not suitable to support weight for seating, additional top required



Base Cabinets

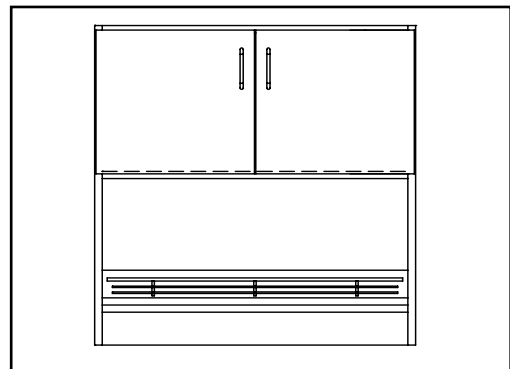
Base Open Shoe Shelf CBSOS



Height- 33 1/2"
 Available Widths- 19 1/2"
 Available Depths- 15", 21"

- finished exterior & interior
- adjustable shoe shelves are chrome rails attached to adjustable
- shelves on 15° angle. For 15" deep shoe shelf, raise rear shelf clips
- three holes, and for 21" deep shoe shelf, raise rear shelf clips 5
- holes for shelf installation
- top not suitable as work surface. Additional work surface recommended

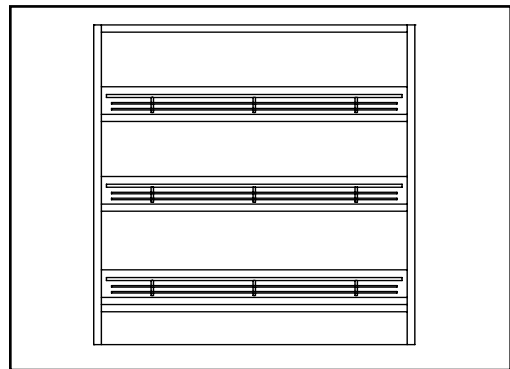
Base Open Shoe Shelf CBSOS



Height- 33 1/2"
 Available Widths- 25 1/2", 31 1/2, 37 1/2
 Available Depths- 15", 21"

- finished exterior & interior
- adjustable shoe shelves are chrome rails attached to adjustable
- shelves on 15° angle. For 15" deep shoe shelf, raise rear shelf clips
- three holes, and for 21" deep shoe shelf, raise rear shelf clips 5
- holes for shelf installation
- top not suitable as work surface. Additional work surface recommended

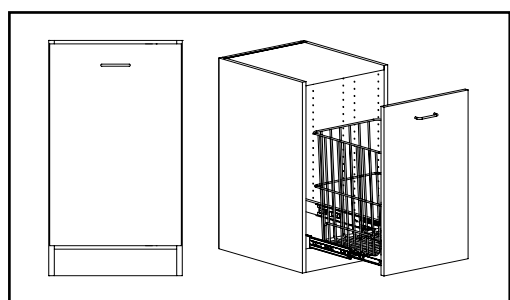
Base Shoe Shelves CBSS



Height- 33 1/2"
 Available Widths- 19 1/2", 25 1/2", 31 1/2, 37 1/2
 Available Depths- 15", 21"

- finished exterior & interior
- adjustable shoe shelves are chrome rails attached to adjustable
- shelves on 15° angle. For 15" deep shoe shelf, raise rear shelf clips
- three holes, and for 21" deep shoe shelf, raise rear shelf clips 5
- holes for shelf installation
- top not suitable as work surface. Additional work surface recommended

Base Shoe Shelves CBSS

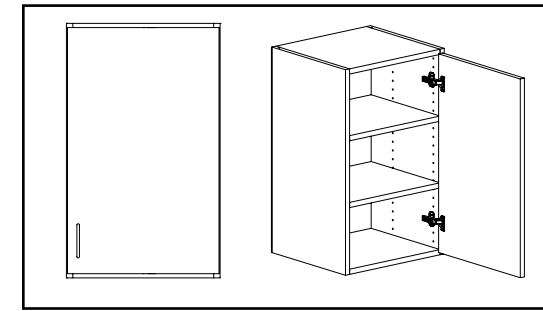


Height- 33 1/2"
 Available Widths- 19 1/2"
 Available Depths- 21"

- finished exterior & interior
- hamper is chrome wire, door mounted, and has 2.3 bushel (75 Qt..) capacity
- top not suitable as work surface. Additional work surface recommended

Wall Cabinets

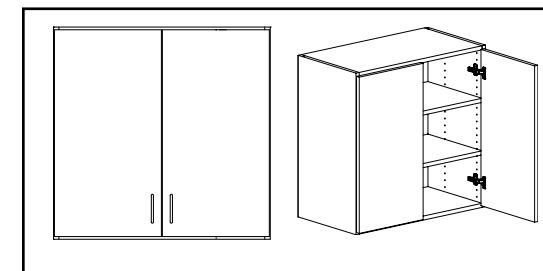
Wall CW



Available Heights- 24", 27", 30", 33", 36", 39"
 Available Widths- 19 1/2"
 Available Depths- 15", 21"

- finished exterior & interior
- 2 adjustable full depth shelves
- available with glass frame doors
- glass frame doors will include aluminum glass frame door trim. See pg. 5

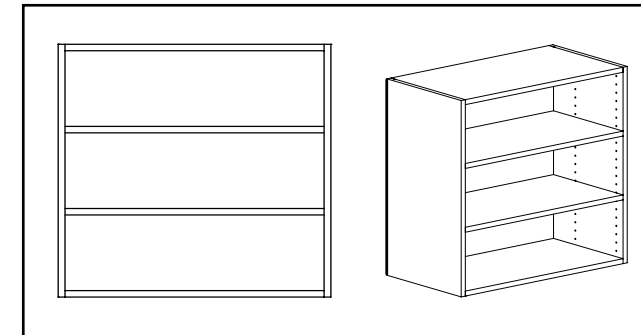
Wall CW



Available Heights- 24", 27", 30", 33", 36", 39"
 Available Widths- 19 1/2", 25 1/2", 31 1/2, 37 1/2
 Available Depths- 15", 21"

- finished exterior & interior
- 2 adjustable full depth shelves
- available with glass frame doors
- glass frame doors will include aluminum glass frame door trim. See pg. 5

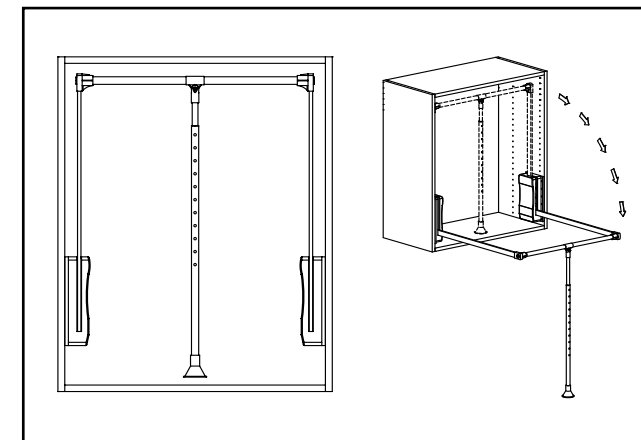
Wall No Door CWND



Available Heights- 24", 27", 30", 33", 36", 39"
 Available Widths- 19 1/2", 25 1/2", 31 1/2", 37 1/2"
 Available Depths- 15", 21"

- finished exterior & interior
- 2 adjustable full depth shelves

Wall No Door w/Pull Down Clothes Rod CWPDR

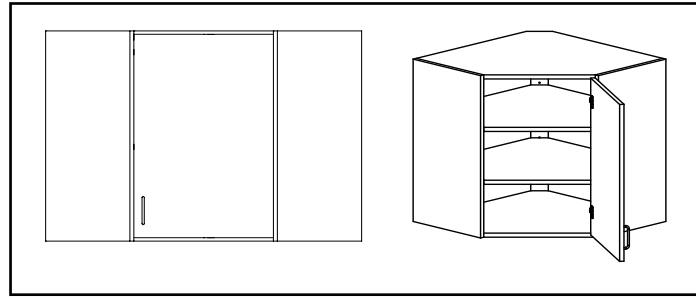


Available Heights- 39"
 Available Widths- 25 1/2", 31 1/2", 37 1/2"
 Available Depths- 15", 21"

- finished exterior & interior
- telescoping pull rod adjustable from 34" to 50"

Wall Cabinets

Angle Wall CAW

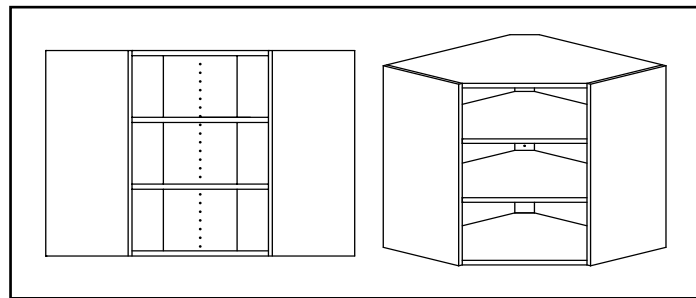


Available Heights- 24", 27", 30", 33", 36", 39"

Available Depths- 15"

- finished exterior & interior
- 2 adjustable full depth shelves
- available with glass frame doors
- glass frame doors will include aluminum glass frame door trim. See pg. 5

Angle Wall No Door CAWND



Available Heights- 24", 27", 30", 33", 36", 39"

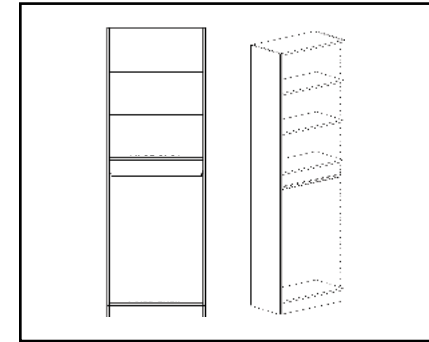
Available Depths- 15"

- finished exterior & interior
- 2 adjustable full depth shelves
- available with glass frame doors
- glass frame doors will include aluminum glass frame door trim. See pg. 5



Closet Uprights

Upright Mid Hanger UMH



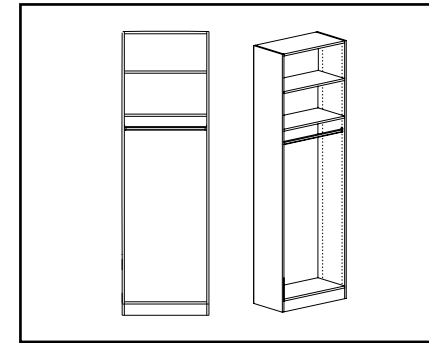
Available Heights- 84", 96"

Available Widths- 19 1/2", 25 1/2", 31 1/2", 37 1/2"

Available Depths- 15", 21"

- finished exterior & interior
- 3 adjustable full depth shelves in top section
- chrome closet rod in bottom section is adjustable within system holes and is located 12 1/2" from back of cabinet
- bottom section 52 3/8" tall

Upright Tall Hanger UTH



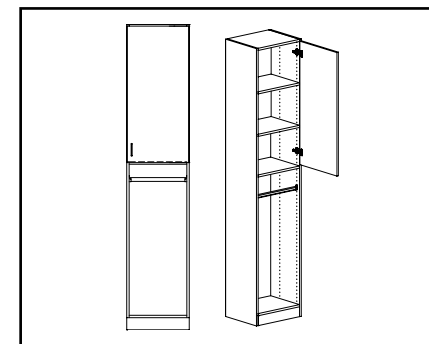
Available Heights- 84", 96"

Available Widths- 19 1/2", 25 1/2", 31 1/2", 37 1/2"

Available Depths- 15", 21"

- finished exterior & interior
- 2 adjustable full depth shelves in top section
- chrome closet rod in bottom section is adjustable within system holes and is located 12 1/2" from back of cabinet
- bottom section 67 1/2" tall

Upright Mid Hanger w/ Upper Door UMHD



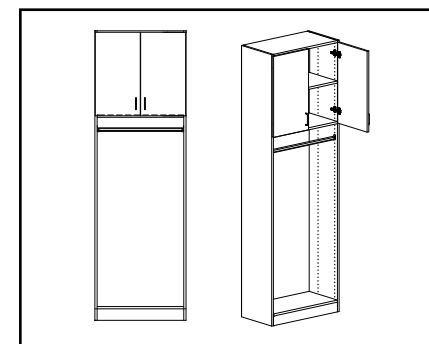
Available Heights- 84", 96"

Available Widths- 19 1/2"

Available Depths- 15", 21"

- finished exterior & interior
- 2 adjustable full depth shelves in top section
- chrome closet rod in bottom section is adjustable within system holes and is located 12 1/2" from back of cabinet
- bottom section 52 3/8" tall
- glass frame doors will include aluminum glass frame door trim. See pg. 5

Upright Mid Hanger w/Upper Doors UTHD



Available Heights- 84", 96"

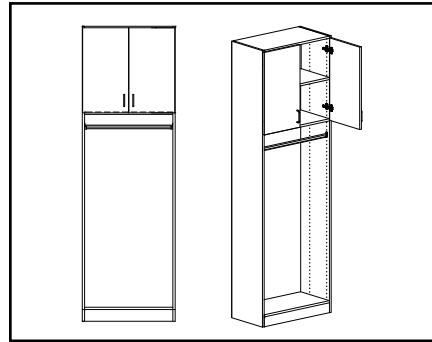
Available Widths- 19 1/2"

Available Depths- 15", 21"

- finished exterior & interior
- 1 adjustable full depth shelves in top section
- chrome closet rod in bottom section is adjustable within system holes and is located 12 1/2" from back of cabinet
- bottom section 67 1/2" tall
- glass frame doors will include aluminum glass frame door trim. See pg. 5

Closet Uprights

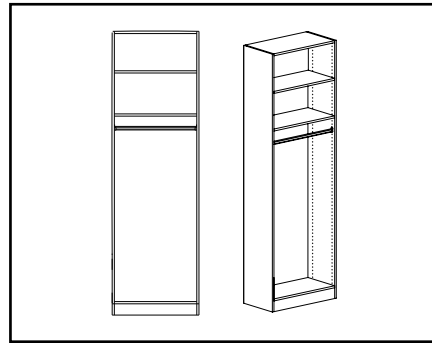
Upright Mid Hanger w/ Upper Doors UTHD



Available Heights- 84", 96"
 Available Widths- 25 1/2", 31 1/2", 37 1/2"
 Available Depths- 15", 21"

- finished exterior & interior
- 2 adjustable full depth shelves in top section
- chrome closet rod in bottom section is adjustable within system holes and is located 12 1/2" from back of cabinet
- bottom section 52 3/8" tall
- glass frame doors will include aluminum glass frame door trim. See pg. 5

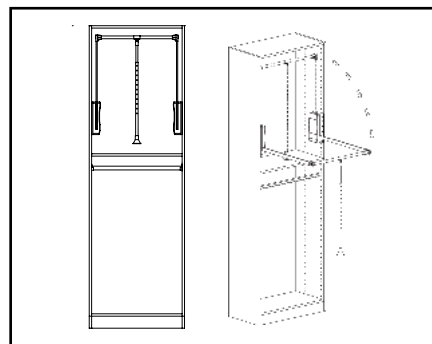
Upright Double Hanger UDH



Available Heights- 84", 96"
 Available Widths- 19 1/2", 25 1/2", 31 1/2", 37 1/2"
 Available Depths- 15", 21"

- finished exterior & interior
- chrome closet rod in bottom section is adjustable within system holes and is located 12 1/2" from back of cabinet
- top section 40 5/16" tall

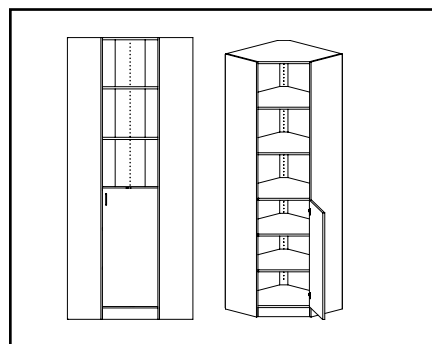
Upright Hanger w/Pull Down Closet Rod UHPDR



Available Heights- 84", 96"
 Available Widths- 25 1/2", 31 1/2", 37 1/2"
 Available Depths- 15", 21"

- finished exterior & interior
- top section 40 5/16" tall
- telescoping pull rod adjustable from 34" to 50"
- chrome closet rod in bottom section is adjustable within system holes, and is located 12 1/2" from back of cabinet

Upright Angle Shelf Lower Door UASD

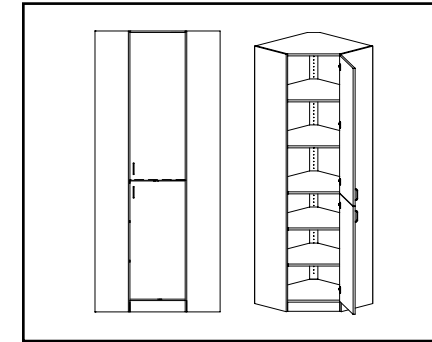


Available Heights- 84", 96"
 Available Depths- 15", 21"

- finished exterior & interior
- matching finish back brace
- 2 adjustable full depth shelves in top section
- bottom section 44 7/8" tall w/1 door & 2 adjustable full depth shelves

Closet Uprights

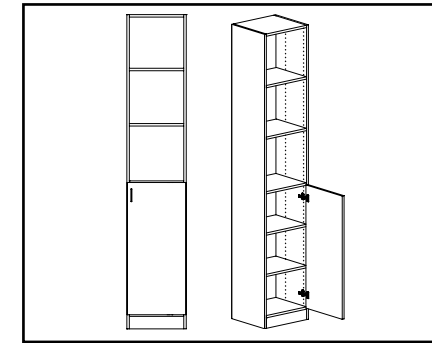
Upright Angle Shelf Lower Door w/Upper Door UASDD



Available Heights- 84", 96"
 Available Depths- 15", 21"

- finished exterior & interior » matching finish back brace
- bottom section 44 7/8" tall w/ 2 adjustable full depth shelves & 1 door
- 2 adjustable full depth shelves w/1 door in top section
- glass frame doors will include aluminum glass frame door trim. See page 5

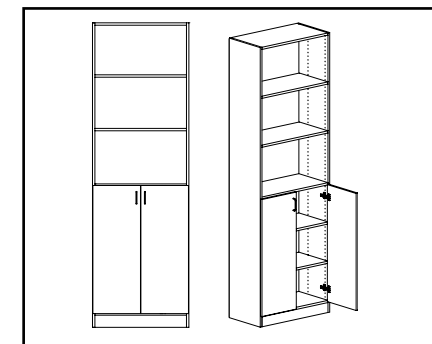
Upright Lower Door ULD



Available Heights- 84", 96"
 Available Widths- 19 1/2"
 Available Depths- 15", 21"

- finished exterior & interior
- 2 adjustable full depth shelves in top section
- bottom section 44 7/8" tall w/ 1 door & 2 adjustable full depth shelves

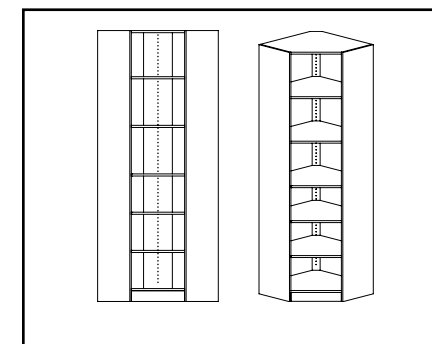
Upright Lower Door ULD



Available Heights- 84", 96"
 Available Widths- 25 1/2", 31 1/2", 37 1/2"
 Available Depths- 15", 21"

- finished exterior & interior
- bottom section 44 7/8" tall w/2 doors & 2 adjustable full depth shelves
- 2 adjustable full depth shelves in top section

Upright Angle Shelf UAS

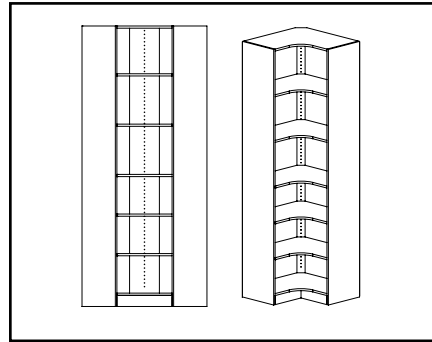


Available Heights- 84", 96"
 Available Widths- 30
 Available Depths- 15"

- finished exterior & interior
- matching finish back brace
- 2 adjustable full depth shelves in top section
- bottom section 44 7/8" tall w/1 door & 2 adjustable full depth shelves

Closet Uprights

Upright Angle Radius Shelf UAR



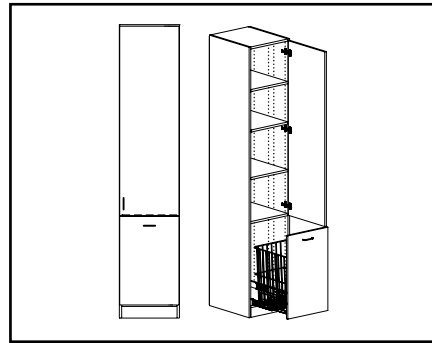
Available Heights- 84", 96"

Available Widths- 30

Available Depths- 15"

- finished exterior & interior
- matching finish back brace
- bottom section 44 7/8" tall & 2 adjustable full depth shelves
- 2 adjustable full depth shelves in top section

Upright Door Mounted Hamper w/Upper Door UHDM



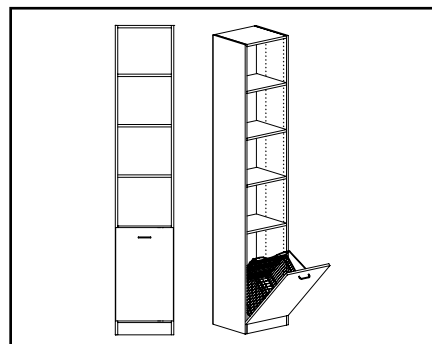
Available Heights- 84", 96"

Available Widths- 19 1/2"

Available Depths- 21"

- finished exterior & interior
- bottom section 33 1/2" w/ chrome wire tilt out hamper
- 3 adjustable full depth shelves in top section w/1 door
- UH19 1/2 has 1.7 bushel (55 Qt.) capacity
- glass frame doors will include aluminum glass frame door trim. See page 5

Upright Hamper UH



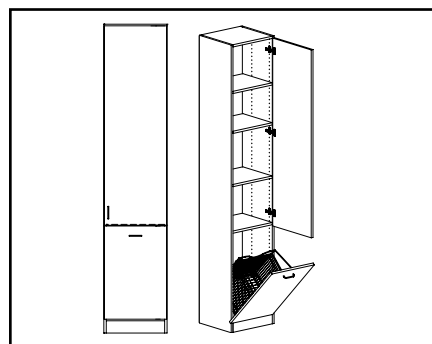
Available Heights- 84", 96"

Available Widths- 19 1/2", 25 1/2"

Available Depths- 15", 21"

- finished exterior & interior
- 3 adjustable full depth shelves in top section
- bottom section 33 1/2" tall w/ chrome wire tilt out hamper
- UH19 1/2 has 1.7 bushel (55 Qt.) capacity
- UH25 1/2 has 2.3 bushel (75 Qt.) capacity

Upright Hamper w/Upper Door UHD



Available Heights- 84", 96"

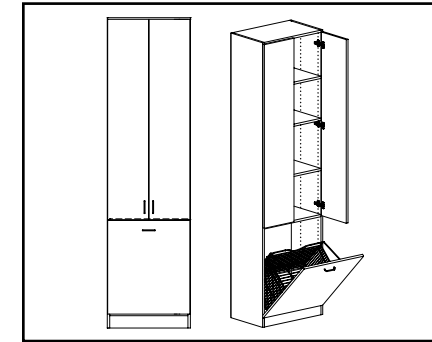
Available Widths- 19 1/2"

Available Depths- 15", 21"

- finished exterior & interior
- bottom section 33 1/2" w/ chrome wire tilt out hamper
- 3 adjustable full depth shelves in top section w/1 door
- UH19 1/2 has 1.7 bushel (55 Qt.) capacity
- glass frame doors will include aluminum glass frame door trim. See page 5

Closet Uprights

Upright Hamper w/Upper Door UHD



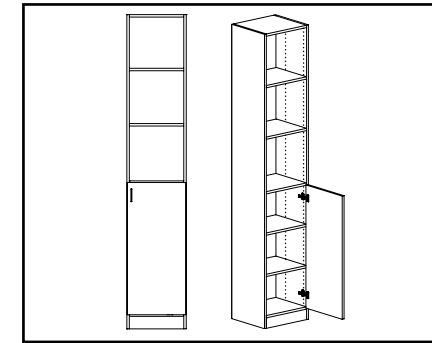
Available Heights- 84", 96"

Available Widths- 25 1/2"

Available Depths- 15", 21"

- finished exterior & interior
- 2 adjustable full depth shelves in top section
- bottom section 44 7/8" tall w/ 1 door & 2 adjustable full depth shelves

Upright Door Mounted Hamper UHDM



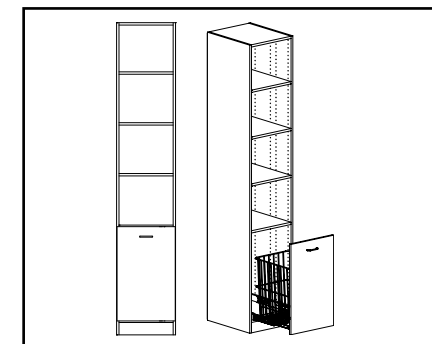
Available Heights- 84", 96"

Available Widths- 19 1/2"

Available Depths- 15", 21"

- finished exterior & interior
- 2 adjustable full depth shelves in top section
- bottom section 44 7/8" tall w/ 1 door & 2 adjustable full depth shelves

Upright Door Mounted Hamper UHDM



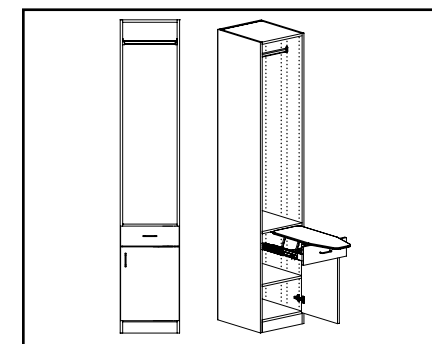
Available Heights- 84", 96"

Available Widths- 19 1/2"

Available Depths- 21"

- finished exterior & interior
- 3 adjustable full depth shelves in top section
- bottom section 33 1/2" tall w/ chrome wire tilt out hamper
- UH19 1/2 has 1.7 bushel (55 Qt.) capacity
- UH25 1/2 has 2.3 bushel (75 Qt.) capacity

Upright Ironing Board UIB



Available Heights- 84", 96"

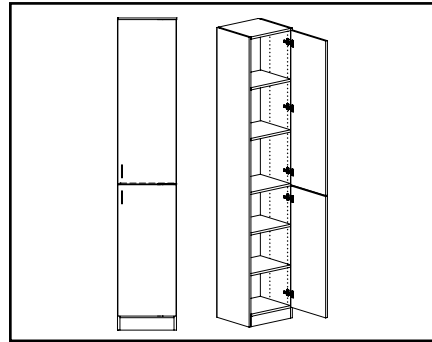
Available Widths- 19 1/2"

Available Depths- 15"

- finished exterior & interior
- chrome closet rod in top section is adjustable within system holes and is located 12 1/2" from back of cabinet

Closet Uprights

Upright Lower Door w/Upper Door ULDD



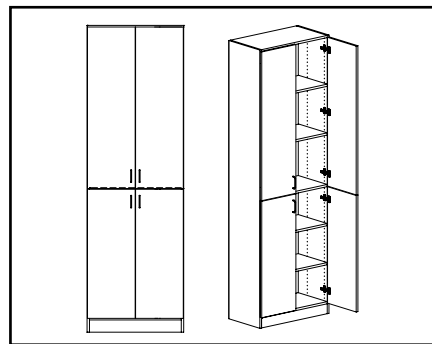
Available Heights- 84", 96"

Available Widths- 19 1/2"

Available Depths- 15", 21"

- finished exterior & interior
- matching finish back brace
- bottom section 44 7/8" tall & 2 adjustable full depth shelves
- 2 adjustable full depth shelves in top section

Upright Lower Door w/Upper Door ULDD



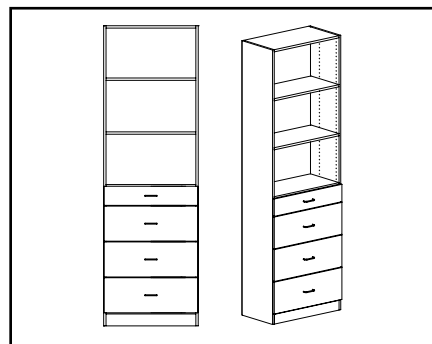
Available Heights- 84", 96"

Available Widths- 25 1/2", 31 1/2", 37 1/2"

Available Depths- 15", 21"

- finished exterior & interior
- bottom section 44 7/8" tall w/ 2 doors & 2 adjustable full depth shelves
- 2 adjustable full depth shelves in top section w/2 doors
- glass frame doors will include aluminum glass frame door trim. See page 5

Upright 4 Drawer U4DR



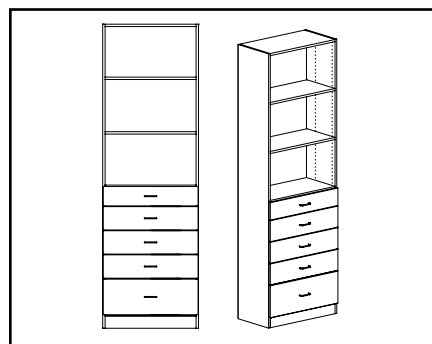
Available Heights- 84", 96"

Available Widths- 25 1/2", 31 1/2", 37 1/2"

Available Depths- 15", 21"

- finished exterior & interior
- 2 adjustable full depth shelves in top section
- bottom section 44 7/8" tall
- 1/2" white vinyl wrapped particle board drawer boxes mounted with precision steel ball bearing side mount full extension guides

Upright 5 Drawer U5DR



Available Heights- 84", 96"

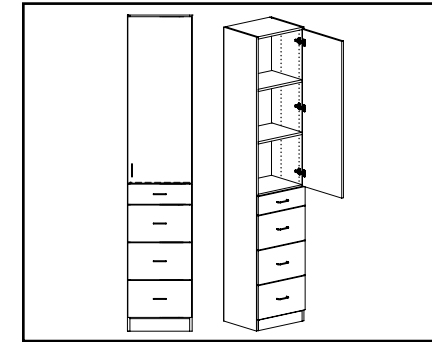
Available Widths- 25 1/2", 31 1/2", 37 1/2"

Available Depths- 15", 21"

- finished exterior & interior
- 2 adjustable full depth shelves in top section
- bottom section 44 7/8" tall
- 1/2" white vinyl wrapped particle board drawer boxes mounted with precision steel ball bearing side mount full extension guides

Closet Uprights

Upright 4 Drawer w/Upper Door U4DRD



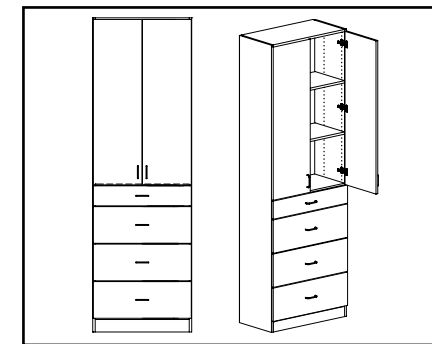
Available Heights- 84", 96"

Available Widths- 19 1/2"

Available Depths- 15", 21"

- finished exterior & interior
- 2 adjustable full depth shelves in top section w/1 door
- bottom section 44 7/8" tall
- 1/2" white vinyl wrapped particle board drawer boxes mounted with precision steel ball bearing side mount full extension guides
- glass frame doors will include aluminum glass frame door trim. See page 5

Upright 4 Drawer w/Upper Door U4DRD



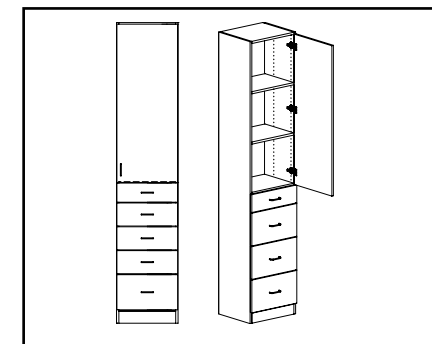
Available Heights- 84", 96"

Available Widths- 25 1/2", 31 1/2", 37 1/2"

Available Depths- 15", 21"

- finished exterior & interior
- 2 adjustable full depth shelves in top section w/2 doors
- bottom section 44 7/8" tall
- 1/2" white vinyl wrapped particle board drawer boxes mounted with precision steel ball bearing side mount full extension guides
- glass frame doors will include aluminum glass frame door trim. See page 5

Upright 5 Drawer w/Upper Door U5DRD



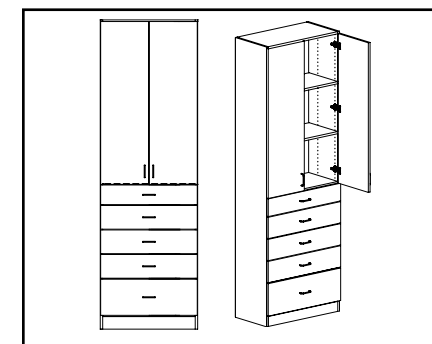
Available Heights- 84", 96"

Available Widths- 19 1/2"

Available Depths- 21"

- finished exterior & interior
- 2 adjustable full depth shelves in top section w/1 door
- bottom section 44 7/8" tall
- 1/2" white vinyl wrapped particle board drawer boxes mounted with precision steel ball bearing side mount full extension guides
- glass frame doors will include aluminum glass frame door trim. See page 5

Upright 5 Drawer w/Upper Door U5DRD



Available Heights- 84", 96"

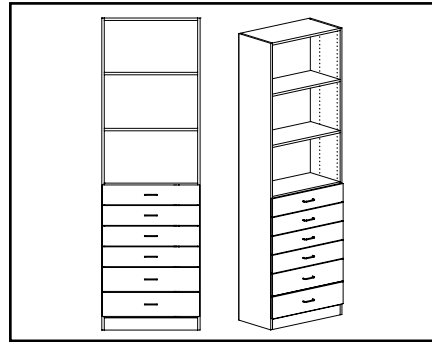
Available Widths- 25 1/2", 31 1/2", 37 1/2"

Available Depths- 15", 21"

- finished exterior & interior
- 2 adjustable full depth shelves in top section w/2 doors
- bottom section 44 7/8" tall
- 1/2" white vinyl wrapped particle board drawer boxes mounted with precision steel ball bearing side mount full extension guides
- glass frame doors will include aluminum glass frame door trim. See page 5

Closet Uprights

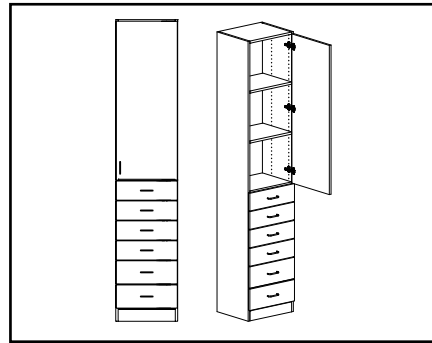
Upright 6 Drawer U6DR



Available Heights- 84", 96"
 Available Widths- 25 1/2", 31 1/2", 37 1/2"
 Available Depths- 15", 21"

- finished exterior & interior
- 2 adjustable full depth shelves in top section
- bottom section 44 7/8" tall
- 1/2" white vinyl wrapped particle board drawer boxes mounted with precision steel ball bearing side mount full extension guides

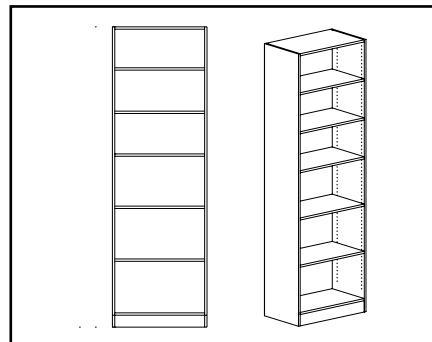
Upright 6 Drawer w/Upper Door U6DRD



Available Heights- 84", 96"
 Available Widths- 19 1/2"
 Available Depths- 15", 21"

- finished exterior & interior
- 2 adjustable full depth shelves in top section w/2 doors
- bottom section 44 7/8" tall
- 1/2" white vinyl wrapped particle board drawer boxes mounted with precision steel ball bearing side mount full extension guides
- glass frame doors will include aluminum glass frame door trim. See page 5

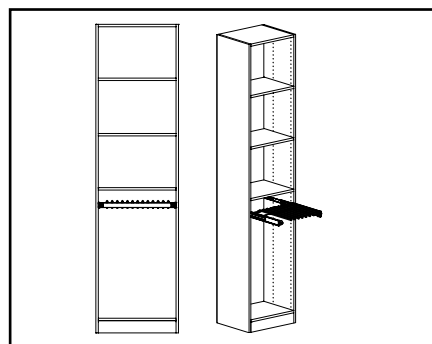
Upright Shelves US



Available Heights- 84", 96"
 Available Widths- 19 1/2", 25 1/2", 31 1/2", 37 1/2"
 Available Depths- 15", 21"

- finished exterior & interior
- 2 adjustable full depth shelves in top & bottom section
- top section 40 5/16" tall

Upright Pant Rack UPR

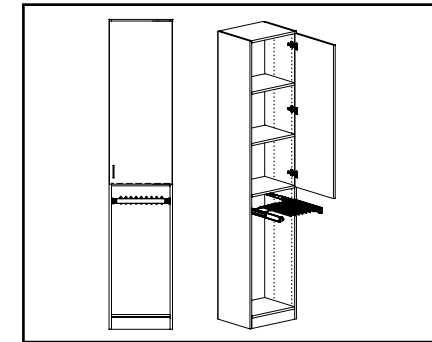


Available Heights- 84", 96"
 Available Widths- 25 1/2", 31 1/2", 37 1/2"
 Available Depths- 15", 21"

- finished exterior & interior
- 2 adjustable full depth shelves in top section
- bottom section 44 7/8" tall
- chrome pant rack mounted with precision steel ball bearing side mount full extension guides

Closet Uprights

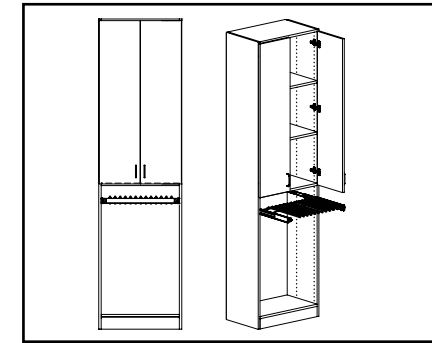
Upright Pant Rack w/Upper Door UPRD



Available Heights- 84", 96"
 Available Widths- 19 1/2"
 Available Depths- 15", 21"

- finished exterior & interior
- 2 adjustable full depth shelves in top section w/1 door
- bottom section 44 7/8" tall
- chrome pant rack mounted with precision steel ball bearing side mount full extension guides
- glass frame doors will include aluminum glass frame door trim. See page 5

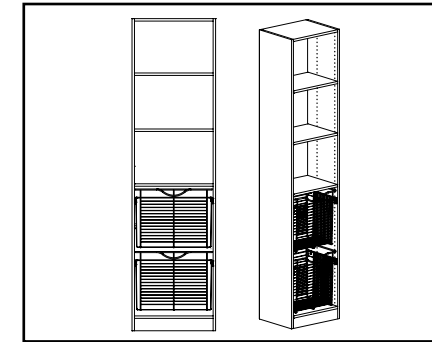
Upright Pant Rack w/Upper Door UPRD



Available Heights- 84", 96"
 Available Widths- 25 1/2", 31 1/2"
 Available Depths- 15", 21"

- finished exterior & interior
- 2 adjustable full depth shelves in top section w/2 doors
- bottom section 44 7/8" tall
- chrome pant rack mounted with precision steel ball bearing side mount full extension guides
- glass frame doors will include aluminum glass frame door trim. See page 5

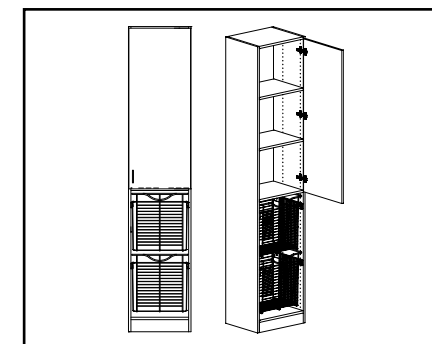
Upright 2 Basket U2B



Available Heights- 84", 96"
 Available Widths- 19 1/2", 25 1/2"
 Available Depths- 15", 21"

- finished exterior & interior
- 2 adjustable full depth shelves in top section
- bottom section 44 7/8" tall
- chrome wire baskets mounted with precision steel ball bearing side mount full extension guides

Upright 2 Basket w/Upper Door U2BD

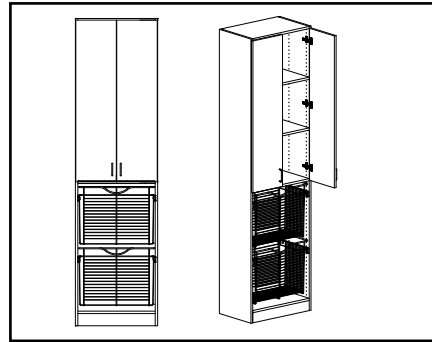


Available Heights- 84", 96"
 Available Widths- 19 1/2"
 Available Depths- 15", 21"

- finished exterior & interior
- 2 adjustable full depth shelves in top section
- bottom section 44 7/8" tall
- chrome wire baskets mounted with precision steel ball bearing side mount full extension guides
- glass frame doors will include aluminum glass frame door trim. See page 5

Closet Uprights

Upright 2 Basket w/Upper Door U2BD



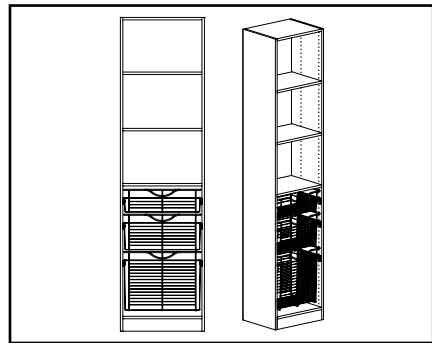
Available Heights- 84", 96"

Available Widths- 25 1/2"

Available Depths- 15", 21"

- finished exterior & interior
- 2 adjustable full depth shelves in top section
- bottom section 44 7/8" tall
- chrome wire baskets mounted with precision steel ball bearing side mount full extension guides
- glass frame doors will include aluminum glass frame door trim. See page 5

Upright 3 Basket U3B



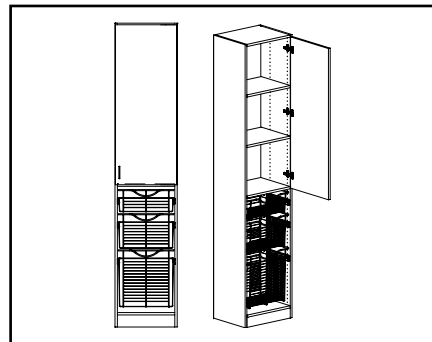
Available Heights- 84", 96"

Available Widths- 19 1/2"

Available Depths- 15", 21"

- finished exterior & interior
- 2 adjustable full depth shelves in top section
- bottom section 44 7/8" tall
- chrome wire baskets mounted with precision steel ball bearing side mount full extension guides

Upright 3 Basket w/Upper Door U3B



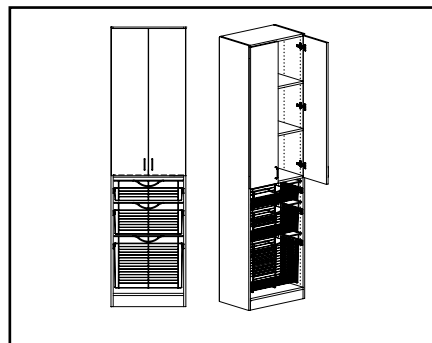
Available Heights- 84", 96"

Available Widths- 19 1/2"

Available Depths- 15", 21"

- finished exterior & interior
- 2 adjustable full depth shelves in top section
- bottom section 44 7/8" tall
- chrome wire baskets mounted with precision steel ball bearing side mount full extension guides
- glass frame doors will include aluminum glass frame door trim. See page 5

Upright 3 Basket w/Upper Door U3B



Available Heights- 84", 96"

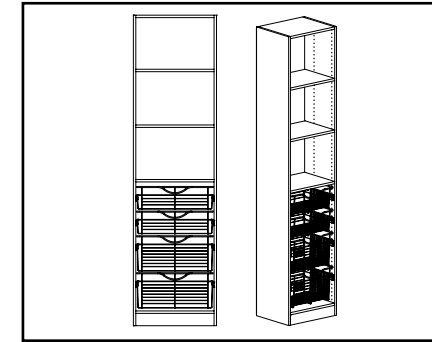
Available Widths- 25 1/2"

Available Depths- 15", 21"

- finished exterior & interior
- 2 adjustable full depth shelves in top section
- bottom section 44 7/8" tall
- chrome wire baskets mounted with precision steel ball bearing side mount full extension guides
- glass frame doors will include aluminum glass frame door trim. See page 5

Closet Uprights

Upright 4 Basket U4B



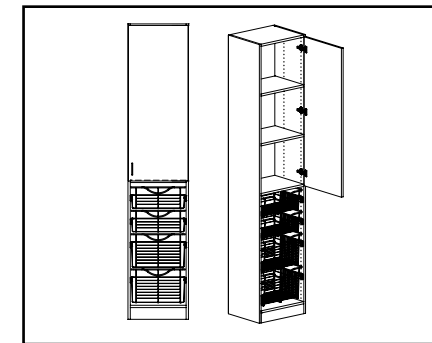
Available Heights- 84", 96"

Available Widths- 19 1/2"

Available Depths- 15", 21"

- finished exterior & interior
- 2 adjustable full depth shelves in top section
- bottom section 44 7/8" tall
- chrome wire baskets mounted with precision steel ball bearing side mount full extension guides

Upright 4 Basket w/Upper Door U4B



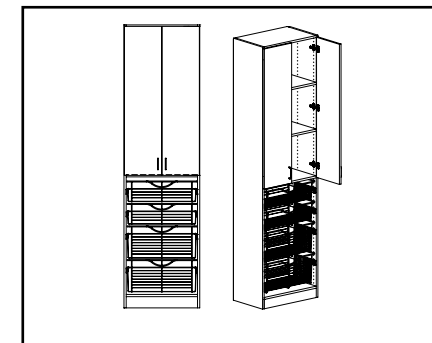
Available Heights- 84", 96"

Available Widths- 19 1/2"

Available Depths- 15", 21"

- finished exterior & interior
- 2 adjustable full depth shelves in top section
- bottom section 44 7/8" tall
- chrome wire baskets mounted with precision steel ball bearing side mount full extension guides
- glass frame doors will include aluminum glass frame door trim. See page 5

Upright 4 Basket w/Upper Door U4B



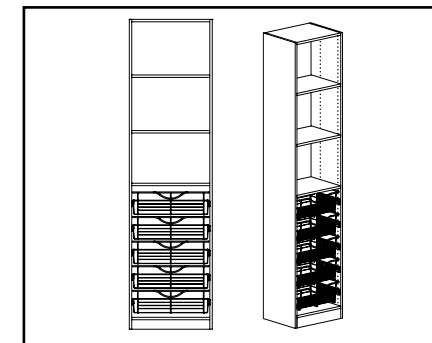
Available Heights- 84", 96"

Available Widths- 25 1/2"

Available Depths- 15", 21"

- finished exterior & interior
- 2 adjustable full depth shelves in top section
- bottom section 44 7/8" tall
- chrome wire baskets mounted with precision steel ball bearing side mount full extension guides
- glass frame doors will include aluminum glass frame door trim. See page 5

Upright 5 Basket U5B



Available Heights- 84", 96"

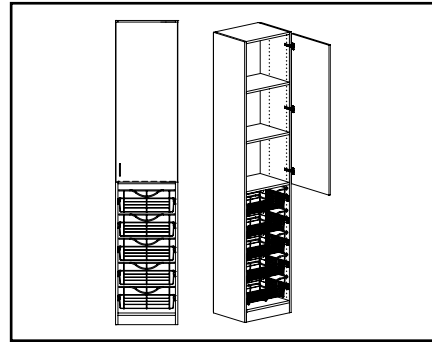
Available Widths- 19 1/2"

Available Depths- 15", 21"

- finished exterior & interior
- 2 adjustable full depth shelves in top section
- bottom section 44 7/8" tall
- chrome wire baskets mounted with precision steel ball bearing side mount full extension guides

Closet Uprights

Upright 5 Basket w/Upper Door USB



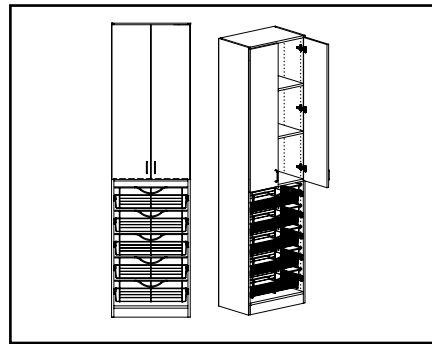
Available Heights- 84", 96"

Available Widths- 19 1/2"

Available Depths- 15", 21"

- finished exterior & interior
- 2 adjustable full depth shelves in top section
- bottom section 44 7/8" tall
- chrome wire baskets mounted with precision steel ball bearing side mount full extension guides
- glass frame doors will include aluminum glass frame door trim. See page 5

Upright 5 Basket w/Upper Door USB



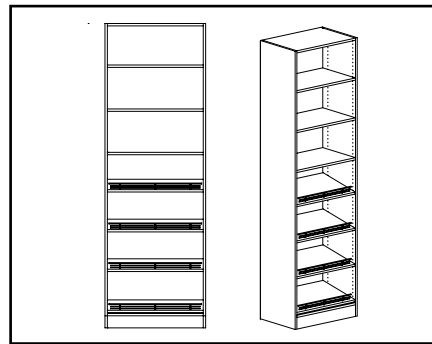
Available Heights- 84", 96"

Available Widths- 25 1/2"

Available Depths- 15", 21"

- finished exterior & interior
- 2 adjustable full depth shelves in top section
- bottom section 44 7/8" tall
- chrome wire baskets mounted with precision steel ball bearing side mount full extension guides
- glass frame doors will include aluminum glass frame door trim. See page 5

Upright Shelf & Shoe Shelf USSS



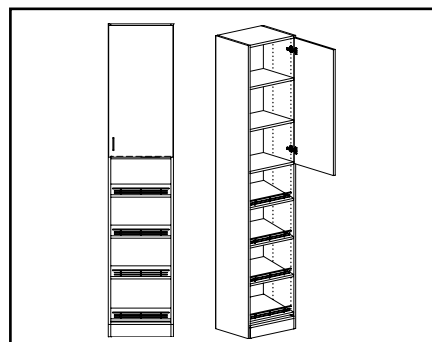
Available Heights- 84", 96"

Available Widths- 19 1/2", 25 1/2", 31 1/2", 37 1/2"

Available Depths- 15", 21"

- finished exterior & interior
- 2 adjustable full depth shelves in top section
- adjustable shoe shelves are chrome rails attached to adjustable shelves on 15° angle. For 15" deep shoe shelf, raise rear shelf clips three holes, and for 21" deep shoe shelf, raise rear shelf clips 5 holes for shelf installation
- bottom section 54 15/16" tall

Upright Shelf & Shoe Shelf w/Upper Door USSSD



Available Heights- 84", 96"

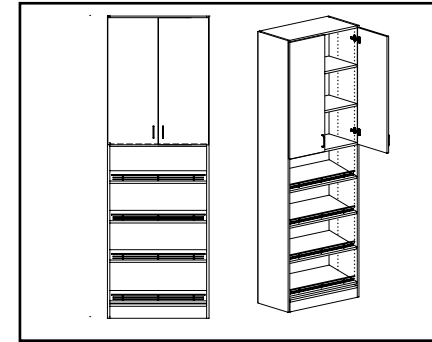
Available Widths- 19 1/2"

Available Depths- 15", 21"

- finished exterior & interior
- 2 adjustable full depth shelves in top section w/1 door
- adjustable shoe shelves are chrome rails attached to adjustable shelves on 15° angle. For 15" deep shoe shelf, raise rear shelf clips three holes, and for 21" deep shoe shelf, raise rear shelf clips 5 holes for shelf installation
- bottom section 54 15/16" tall
- glass frame doors will include aluminum glass frame door trim. See page 5

Closet Uprights

Upright Shelf & Shoe Shelf w/Upper Door USSSD



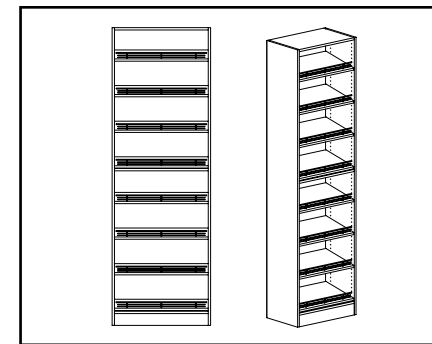
Available Heights- 84", 96"

Available Widths- 25 1/2", 31 1/2", 37 1/2"

Available Depths- 15", 21"

- finished exterior & interior
- 2 adjustable full depth shelves in top section w/1 door
- adjustable shoe shelves are chrome rails attached to adjustable shelves on 15° angle. For 15" deep shoe shelf, raise rear shelf clips three holes, and for 21" deep shoe shelf, raise rear shelf clips 5 holes for shelf installation
- bottom section 54 15/16" tall
- glass frame doors will include aluminum glass frame door trim. See page 5

Upright Shoe Shelf USS



Available Heights- 84", 96"

Available Widths- 19 1/2", 25 1/2", 31 1/2", 37 1/2"

Available Depths- 15", 21"

- finished exterior & interior
- 2 adjustable full depth shelves in top section w/1 door
- adjustable shoe shelves are chrome rails attached to adjustable shelves on 15° angle. For 15" deep shoe shelf, raise rear shelf clips three holes, and for 21" deep shoe shelf, raise rear shelf clips 5 holes for shelf installation
- bottom section 54 15/16" tall



Accessories

Pull Down Closet Rod PDCR



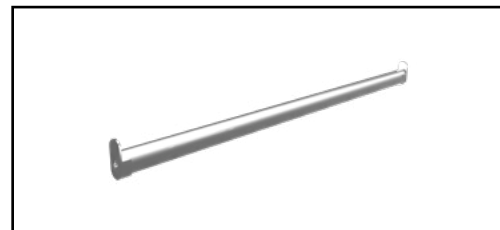
- can be attached to cabinet sides and end panels
- width of clothes rod is adjustable
- telescoping pull rod adjustable from 34" to 50"
- PDCR1 is 21 1/2" - 26" wide
- PDCR2 is 26" - 35" wide
- PDCR3 is 35" - 48" wide

Case Connecting Screws CCS



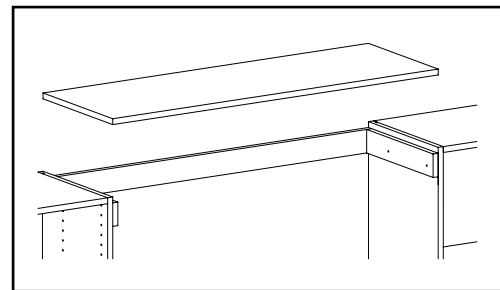
- 5mm bore, steel with zinc finish
- 1 set contains 1 male and 1 female piece
- box contains 100 sets

Closet Rod CLR



- 48" wide only
- may be field trimmed
- includes mounting hardware that fits system holes
- available in Chrome, Matte Black, and Matte Brass

Bridge Shelf Kit CBSK



- includes shelf, 2 side cleats with screws for mounting, & rear hang rail
- 15", 21" deep
- all components are edge banded on all edges
- 48" wide only, shelf and rear hang rail may be field trimmed
- align side cleats & rear hang rail to allow 3/4" at top to accommodate shelf
- side cleats include pre-drilled mounting holes that correspond with cabinet/panel system holes, allowing 3/4" spacing for shelf
- fasten rear hang rail to wall studs after aligning, fasteners not included
- install fasteners through top of shelf to side cleats & rear hang rail to secure, fasteners not included



Warranty

W. W. Wood Products, Inc., manufacturer of Vistora Closets, guarantees its cabinets to remain free from defects in material and workmanship under normal residential use, for a period of two years from date of purchase.

Within the warranty period, W. W. Wood Products agrees to repair, FOB its factory, or furnish without charge FOB its material or workmanship within said period. All defective items must be returned to the factory before replacement or credit will be issued. This warranty does not cover products that have had normal wear and tear, misuse, abuse, improper storage, improper installation, exposure to extremes in temperature or humidity, cleaned improperly, or been changed or modified. In addition, variations in color and grain pattern are natural characteristics of wood and are not covered by this warranty.

In no event shall this warranty cover the cost of installation, removal, or replacement, subsequent damage to other products used in conjunction with Vistora Closets.

This warranty is non-transferable and is in lieu of all other warranties, expressed or implied.

W. W. Wood Products reserves the right to discontinue models and/or make changes in price, material, equipment and specifications at any time without written notice.

Vistora[®]

closets



FOLKSTONE



Manufactured by:
W. W. Wood Products Inc.
A family-owned company.

Prices and specifications subject to change. Due to limitations in printing or changes in manufacturing, the finishes and products shown may not be accurately represented or are no longer available. Visit a retailer to view samples and confirm availability.